

2931 MISSION STREET, SANTA CRUZ, CALIFORNIA 95060
Telephone: (831) 454-9455 • Fax: (831) 469-3712
Website: www.hacosantacruz.org

Wait List Information: (831) 454-5950
TDD: (831) 469-0122

October 18, 2010

ADDENDUM #2 - to the
Buena Vista Day Care Building #201 Remodel Project
113 Tierra Alta Drive
Watsonville, CA 95076

Bidders are hereby informed that the project documents are modified as follows:

1. Section 011000-2 part 1.4 A item 2 will be deleted. Hazardous material abatement will be included under this contract. Section 011000-2 part 1.7 B item 1 will be deleted. Bidders will include all necessary demolition work and hazardous materials abatement work as part of bid price.
2. Section 102800 of Division 10 of the bid package will be replaced with the attached "Section 102800 - Restroom Accessories".
3. The attached tear-sheets will be included as "Appendix 3 - Restroom Accessories"
4. Bid Deadline is Monday November 1, 2010 at 9:00 AM - no additional extension will be granted at this time.

BOARD OF COMMISSIONERS
Eloise Graham, Chairperson Sonja Brunner Karen Cogswell
Aurelio Gonzalez Jan Karwin Bud Winslow

KEN COLE
Executive Director

SECTION 102800 - RESTROOM ACCESSORIES

PART 1 - GENERAL

1.1 SUMMARY

- A. Section Includes:
 - 1. Public-use restroom accessories.

1.2 ACTION SUBMITTALS

- A. Product Data: For each type of product indicated.
- B. Product Schedule: Indicating types, quantities, sizes, and installation locations by room of each accessory required.
 - 1. Identify locations using room designations indicated.
 - 2. Identify products using designations indicated.

1.3 CLOSEOUT SUBMITTALS

- A. Maintenance data.

1.4 QUALITY ASSURANCE

- A. Electrical Components, Devices, and Accessories: Listed and labeled as defined in NFPA 70, by a qualified testing agency, and marked for intended location and application.

PART 2 - PRODUCTS

2.1 PUBLIC-USE WASHROOM ACCESSORIES

- A. Basis-of-Design Product: Subject to compliance with requirements, provide product indicated on Drawings or comparable product by one of the following:
 - 1. A & J Washroom Accessories, Inc.
 - 2. American Specialties, Inc.
 - 3. Bobrick Washroom Equipment, Inc.
 - 4. Bradley Corporation.
- B. Toilet Tissue (Double-Roll ADA Compliant) Dispenser:
 - 1. Basis-of-Design Product: Bradley, Model 5412.

2. Description: Two-roll unit with drop-down second roll.
3. Mounting: Recessed mounted.
4. Capacity: two 4 ½" x 5" standard core rolls.
5. Material and Finish: 22-gauge satin finish stainless steel.
6. Lockset: Tumbler type.
7. Refill Indicator: Pierced slots at front.

C. Toilet Tissue (Single-Roll ADA Compliant) Dispenser:

1. Basis-of-Design Product: Bradley, Model 5104.
2. Description: Single roll unit.
3. Mounting: Recessed mounted.
4. Capacity: one 4 ½" x 5" standard core rolls.
5. Material and Finish: 22-gauge satin finish stainless steel.
6. Lockset: Tumbler type.

Refill Indicator: Pierced slots at front.

D. Liquid-Soap Dispenser:

1. Basis-of-Design Product: Bradley, Model 661.
2. Description: Designed for dispensing soap in liquid form.
3. Mounting: surface mounted.
4. Capacity: 80 oz.
5. Materials: 20-gauge satin finish stainless steel.
6. Lockset: Tumbler type.
7. Refill Indicator: Window type.

E. Paper Towel Dispenser:

1. Basis-of-Design Product: Bradley, Model 250-15.
2. Description: Designed for dispensing C-fold/Multi-Fold paper towels.
3. Mounting: surface mounted.
4. Capacity: 525 multi-fold or 400 C-fold paper towels.
5. Materials: 22-gauge satin finish stainless steel.
6. Lockset: Tumbler type.

F. Grab Bar:

1. Basis-of-Design Product: Bradley, Model 812.
2. Mounting: Flanges with concealed fasteners.
3. Material: Stainless steel, 0.05 inch thick.
 - a. Finish: Smooth, No. 4 finish (satin) on ends and slip-resistant texture in grip area.
4. Outside Diameter: 1-1/2 inches.
5. Configuration and Length: As indicated on Drawings.

G. Seat-Cover Dispenser:

1. Basis-of-Design Product: Bradley, Model 583.
2. Mounting: Surface mounted.
3. Minimum Capacity: 500 seat covers.
4. Exposed Material and Finish: Stainless steel, No. 4 finish (satin).
5. Lockset: Tumbler type.

H. Mirror Unit: (revised 10/14/10)

1. Basis-of-Design Product: Bradley, stainless steel mirror model 780.
2. Mirror: ¼" float glass, triple-silver-plated with electro-copper-plated layer and thermosetting infrared-cured-paint backing with poly-glaze protective finish.
3. Backing: ¼" extruded polystyrene or other approved backing.
4. Size: As indicated on Drawings.

2.2 FABRICATION

- A. Keys: Provide universal keys for internal access to accessories for servicing and resupplying. Provide minimum of 6 keys to Owner's representative.

PART 3 - EXECUTION

3.1 INSTALLATION

- A. Install accessories according to manufacturers' written instructions, using fasteners appropriate to substrate indicated and recommended by unit manufacturer. Install units level, plumb, and firmly anchored in locations and at heights indicated.
- B. Grab Bars: Install to withstand a downward load of at least 250 lbf, when tested according to ASTM F 446.

END OF SECTION 102800

APPENDIX 3 - Restroom Accessories
Buena Vista Day Care Building #201 Remodel Project
113 Tierra Alta Drive
Watsonville, CA 95076

Model 5412 — Recessed **Bradex**[®]

- Dual Roll
- ADA Compliant

Product Materials

FLANGE: 22 gauge stainless steel with exposed surfaces in architectural satin finish. Flange of one-piece seamless construction, 1" wide with ¼" return.

CABINET: 22 gauge stainless steel with exposed surfaces in architectural satin finish. Welded construction with burr-free edges

SERVICE DOOR: 22 gauge stainless steel with exposed surfaces in architectural satin finish and tumbler lock keyed like other Bradley units. Hinged at bottom.

SPINDLES: molded polyethylene.

Capacity

Two standard core toilet tissue rolls through 5" in diameter.

Operation

Cabinet holds two rolls of 4½" x 5" standard core toilet tissue, one above the other. When first roll is used up, fresh roll automatically drops down for use. Unique retaining mechanism prevents use of spare roll until first roll is completely used. Spindles non-removable by user. Hinged door permits access to storage compartment for servicing of unit.

Installation

Verify all rough-in dimensions prior to installation. Requires rough wall opening 6½"W x 10½"H x 4"D. Secure to framing with mounting screws (not included) at holes provided. Mounting Kit #899-027 available from Bradley. Visit bradleycorp.com for more information. Shim at screw points as required.

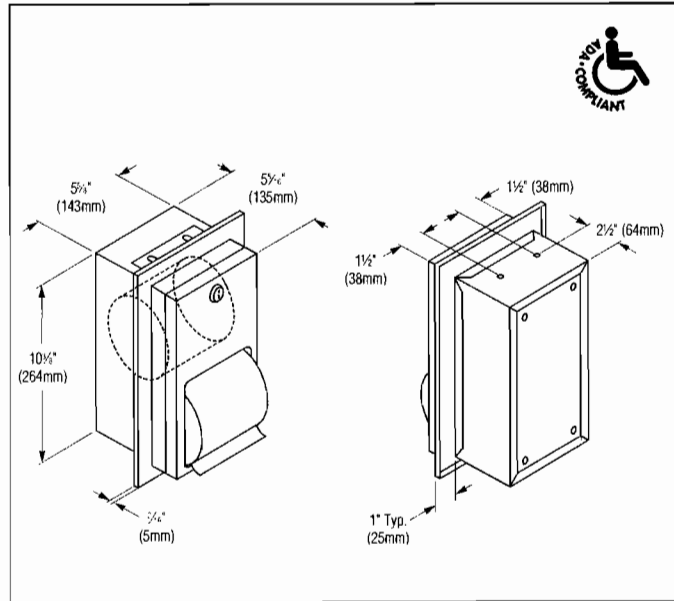
Guide Specification

Recessed dual roll toilet tissue dispenser shall be heavy gauge satin finish stainless steel and hold two standard core toilet tissue rolls.

Overall dimensions: 5½"W x 10½"H x 5½"D

ADA Compliant

- Consult local and national accessibility codes for proper installation guidelines.
- Conformity and compliance to local and national codes is the responsibility of the installer.



Washroom Accessories
Document No. 8550

Orders composed of products indicated as **Bradex**[®] will be available to ship in three days after receipt of order at the factory. There is no pricing penalty for this service from Bradley. This information is subject to change without notice. 11-10-2009

© 2009 Bradley Corporation
P.O. Box 309, Menomonee Falls, WI 53052-0309
Phone: 800.BRADLEY (800.272.3539) Fax: 262.253.4161
bradleycorp.com

- Model 510 — Chrome-Plated Brass
- Model 5102 — Heavy Gauge Stainless Steel, Bright Finish
- Model 5104 — Heavy Gauge Stainless Steel, Satin Finish

- Recessed
- Non-Controlled Delivery
- Single Roll

Product Materials

HOUSING: see check boxes and model descriptions above.
BRACKETS: see check boxes and model descriptions above.
SPINDLE: chrome-plated plastic.

Capacity

One standard core toilet tissue roll through 5" in diameter.

Operation

Concealed spring permits spindle to telescope for servicing. Spindle turns freely for non-controlled delivery.

Installation

Verify all rough-in dimensions prior to installation. Requires rough wall opening per chart on right column. Secure to framing with mounting screws (included) at holes provided.

Optional Features

Feature	Suffix
<input type="checkbox"/> Anti-theft spindle (available on Model 5102 only)	-52
<input type="checkbox"/> Back clamp for gypsum wallboard mounting	-55

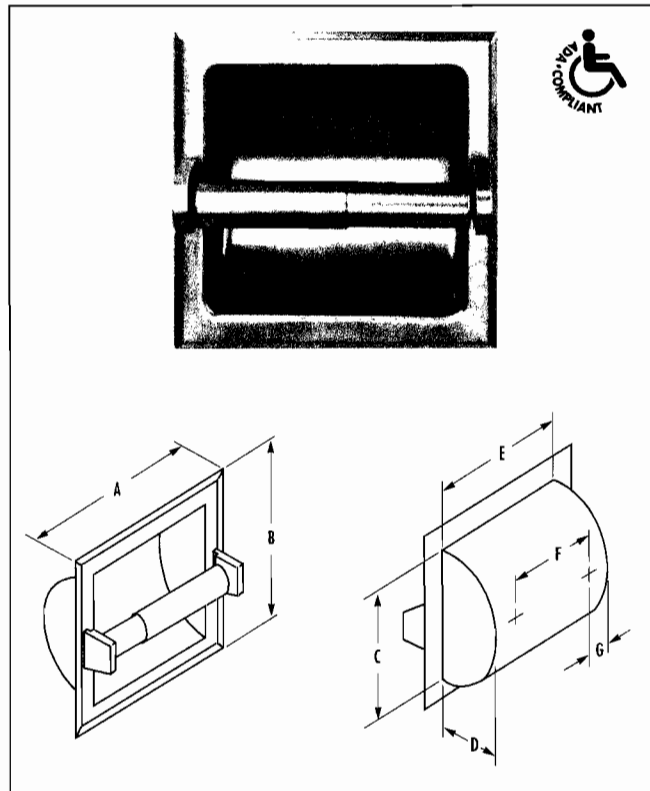
Guide Specification

Model 510: Recessed single roll tissue dispenser shall be chrome-plated brass with projecting brackets of chrome-plated die cast zinc alloy and hold one standard core toilet tissue roll.

Model 5102: Recessed single roll tissue dispenser shall be heavy gauge stainless steel with a bright finish. Projecting brackets shall be heavy gauge stainless steel and hold one standard core toilet tissue roll.

Model 5104: Recessed single roll tissue dispenser shall be heavy gauge stainless steel with a satin finish. Projecting brackets shall be heavy gauge stainless steel and hold one standard core toilet tissue roll.

Overall dimensions: 7½"W x 2½"H x 3¾"D.



Model No.	Rough-In Dimensions		Unit Dimensions - inches (mm)						
	HEIGHT	WIDTH	A	B	C	D	E	F	G
510	5¼"	5¼"	6¼" (157)	6¼" (157)	5" (127)	1¾" (44)	5" (127)	2¼" (73)	1" (25)
5102	5¼"	5¼"	6½" (162)	6½" (162)	5" (127)	2" (51)	5" (127)	3¾" (95)	½" (16)
5104	5¼"	5¼"	6¾" (162)	6¾" (162)	5" (127)	2" (51)	5" (127)	3¾" (95)	½" (16)

ADA Compliant

- Consult local and national accessibility codes for proper installation guidelines.
- Conformity and compliance to local and national codes is the responsibility of the installer.

Washroom Accessories
Document No. 8465

Mirror with angle frame, welded corners and theft-resistant mounting:

- Standard Model 780-1830 (18" x 30") **Bradex**[®]
- Standard Model 780-1836 (18" x 36") **Bradex**[®]
- Standard Model 780-2436 (24" x 36") **Bradex**[®]
- Standard Model 780-2460 (24" x 60") **Bradex**[®]
- Model 780-XXXX (Specify width and height)

Product Materials

FRAME: one-piece roll-formed stainless steel, 3/4" x 3/4" angle with corners welded, ground and polished smooth to a satin finish. Double strength continuous integral stiffener on all sides for added strength. Bevel on front of angle secures frame flush against mirror.

BACK: galvanized steel, secured to frame with concealed screws, equipped with integral horizontal hanging brackets.

MIRROR: first quality 1/4" float glass, triple-silver-plated with electro-copper-plated layer and thermosetting infrared cured-paint backing with Poly-Glaze protective finish. Manufactured in accordance with ASTM C 1036. All edges protected by shock-absorbing, neoprene tubing. The back of the mirror is protected by a sheet of 1/4" extruded polystyrene, which is placed between the mirror and the galvanized steel.

WALL HANGER: 18 gauge cold rolled steel, all welded construction to form rigid template.

Optional Features

Features	Suffix
<input type="checkbox"/> 1/4" tempered glass mirror in lieu of polished float glass mirror*	-2
<input type="checkbox"/> Laminate glass	-3
<input type="checkbox"/> Highly polished No. 8 architectural finish, 20 gauge stainless steel in lieu of polished float glass mirror	-4
<input type="checkbox"/> Bright annealed 20 gauge stainless steel in lieu of polished float glass mirror	-5
<input type="checkbox"/> Plexiglas [®]	-6

*Either the Length (L) or the Width (W) must be greater than 25".

Guide Specification

Mirror shall be framed with heavy gauge, one-piece roll-formed 3/4" x 3/4" stainless steel angle with double strength continuous integral stiffener. Welded corners shall be polished to a uniform satin finish. Mirror shall be of first quality 1/4" float glass guaranteed for 15 years against silver spoilage and protected by a shock-absorbing, neoprene tubing with Poly-Glaze protective finish. Back of unit shall be galvanized steel secure to frame with concealed screws, equipped with integral horizontal hanging brackets and separate wall hanger for concealed mounting.

Framed Mirror shall be Bradley Model 780-_____ " W x _____ " H (specify width and height).

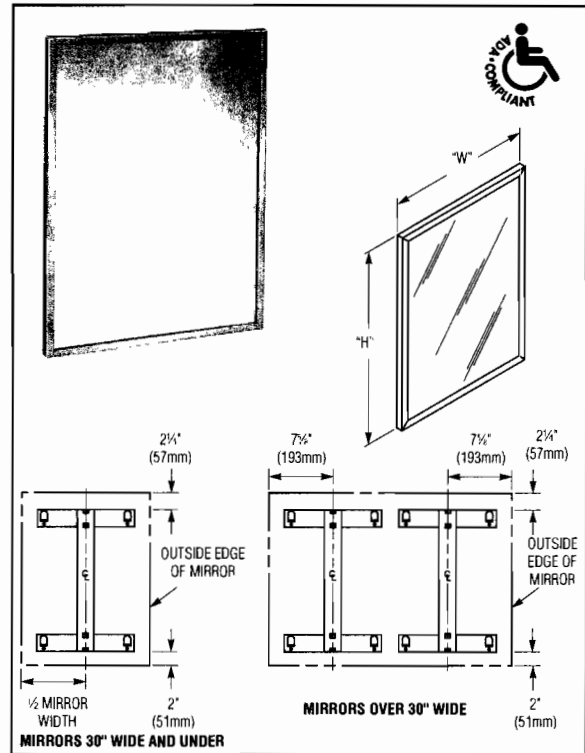
ADA Compliant

- Consult local and national accessibility codes for proper installation guidelines.
- Conformity and compliance to local and national codes is the responsibility of the installer.

**Washroom Accessories
Document No. 8775**

This information is subject to change without notice.

5-6-2010



Bradex[®] Models

Width (Inches) W	Height (Inches) H	Overall Dimension (Inches)	Overall Dimensions (Millimeters)	Standard Model Number
18"	30"	18 x 30	457 x 762	780-1830
18"	36"	18 x 36	457 x 914	780-1836*
24"	36"	24 x 36	610 x 914	780-2436*
24"	60"	24 x 60	610 x 1524	780-2460

Model 780 series angle framed mirrors can be fabricated to a maximum size of 120"W x 72"H.

* Indicates available Tempered glass. **Bradex**[®]

- An inherent characteristic of a manufacturing process for tempered glass is distortion which may vary from mirror to mirror.

Installation

Verify all rough-in dimensions prior to installation. Secure concealed mounting bracket to wall with screws (not included) at holes provided. Mounting kits available through Bradley (ref. #899-026). For more information, visit bradleycorp.com. Provide in-wall backing at mounting screw locations. Position mirror over mounting bracket to engage hanger tabs. Slide mirror down and lock into position.

Orders composed of products indicated as **Bradex**[®] will be available to ship in three days after receipt of order at the factory. There is no pricing penalty for this service from Bradley.

© 2010 Bradley Corporation
P.O. Box 309, Menomonee Falls, WI 53052-0309
Phone: 800.BRADLEY (800.272.3539) Fax: 262.253.4161
bradleycorp.com

Model 583 — Surface-Mounted
Bradex®

500 Capacity

Product Materials

COVER: 22 gauge stainless steel with exposed surfaces in architectural satin finish. Welded construction with burr-free edges, full length piano hinge and tumbler lock keyed like other Bradley units.

BACK: stainless steel.

Capacity

500 standard single-fold or half-fold toilet seat covers.

Operation

Cabinet bottom hinged for easy filling. Unit has spring clip dispensing mechanism.

Installation

Verify all rough-in dimensions prior to installation. Secure unit to wall or toilet partition with mounting screws (included) through mounting holes.

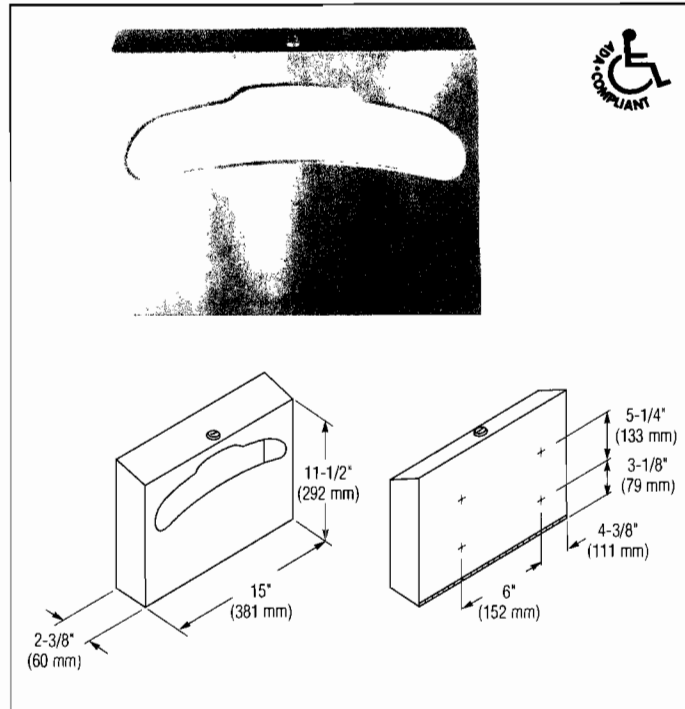
Guide Specification

Surface-mounted toilet seat cover dispenser shall be fabricated of 22-gauge stainless steel with exposed surfaces in satin finish with welded construction. Door with piano hinge and tumbler lock. Capacity 500 toilet seat covers.

Overall dimensions: 15"W x 11-1/2"H x 2-3/8"D.

 **ADA Compliant**

- Consult local and national accessibility codes for proper installation guidelines.
- Conformity and compliance to local and national codes is the responsibility of the installer.



Washroom Accessories
Document No. 8560

Orders composed of products indicated as **Bradex®** will be available to ship in three days after receipt of order at the factory. There is no pricing penalty for this service from Bradley. This information is subject to change without notice. 4-1-2010

© 2010 Bradley Corporation
P.O. Box 309, Menomonee Falls, WI 53052-0309
Phone: 800.BRADLEY (800.272.3539) Fax: 262.253.4161
bradleycorp.com

1½" O.D. heavy duty stainless steel grab bar with concealed mounting:

Product Materials

FLANGES: ¾" dia. 13 gauge stainless steel.

ESCUTCHEONS: 22 gauge stainless steel. One-piece drawn construction with exposed surfaces in architectural satin finish. Snap over flanges to conceal mounting screws.

TUBING: 1½" O.D. 18 gauge stainless steel, seamless construction with exposed surfaces in architectural satin finish. Bent ends of tubing pass thru the flanges and are welded for maximum strength. Intermediate supports are contour cut and joined by welding to form an integral part of the grab bar. All exposed welds ground and polished to blend. Mandrel bending process maintains uniform bar diameter. Return provides 1½" standard safety clearance between wall and bar.

Strength

When properly mounted, all Bradley heavy duty grab bar systems meet or exceed the requirements of ANSI Standard A117.1, the ADA and ABA Accessibility Guidelines for Buildings and Facilities (ADAAG), and the Uniform Federal Accessibility Standard (UFAS).

Installation

Verify all rough-in dimensions prior to installation. Secure to wall where adequate in-wall backing exists. Use bar as template to locate mounting holes. Drill holes and set anchors as appropriate. Mount grab bar and secure mounting screws. Snap escutcheons into place. For information on Bradley grab bar mounting kits, please visit bradleycorp.com.

Optional Features

Features	Suffix
<input type="checkbox"/> Safety-grip finish	-2
<input type="checkbox"/> High-polish finish	-4
<input type="checkbox"/> Safety grip with high-polished finish	-7

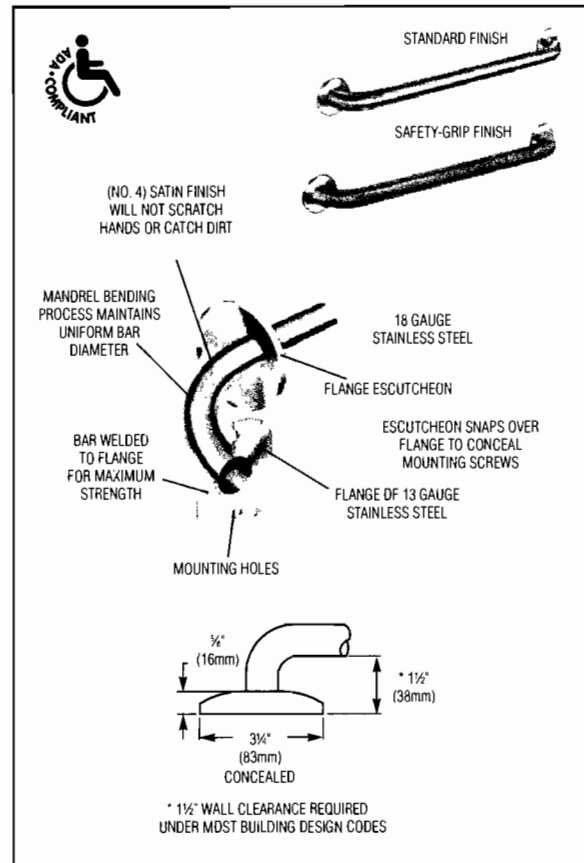
Guide Specification

Grab bar shall be fabricated of satin finish stainless steel with concealed mounting flanges in sizes and configurations as indicated. Install with Bradley Mounting Kits as indicated.

ADA Compliant

- Consult local and national accessibility codes for proper installation guidelines.
- Conformity and compliance to local and national codes is the responsibility of the installer.

**Washroom Accessories
Document No. 8810**



Bradex® Models

Configuration Number	Shipping Data		Configuration Number	Shipping Data	
	Cu. Ft.	Wt. Lbs.		Cu. Ft.	Wt. Lbs.
001-18★	0.14	2	001-42★	0.15	4
001-24★	0.14	3	001-42*-10★	3.14	37.67
001-30*	0.15	3	001-48*	0.25	4
001-36★	0.15	3	059**	2.85	7
001-36-10★	2.40	30.46			

NOTE: These units must ship via common carrier.
 ** 059 36" x 52" Standard Dimensions.
 ★ Indicates available Safety Grip. **Bradex®**

Orders composed of products indicated as **Bradex®** will be available to ship in three days after receipt of order at the factory. There is no pricing penalty for this service from Bradley.

© 2009 Bradley Corporation
 P.O. Box 309, Menomonee Falls, WI 53052-0309
 Phone: 800.BRADLEY (800.272.3539) Fax: 262.253.4161
bradleycorp.com

- Model 661 – One Soap Valve
- Model 662 – Two Soap Valves

- Shelf-Type Dispenser
- Surface-Mounted
- ADA Compliant

Product Materials

HINGED SHELF: 20 gauge stainless steel with exposed surfaces in architectural satin finish.

RESERVOIR: 20 gauge stainless steel with exposed surfaces in architectural satin finish. Welded seams.

SOAP VALVE: chrome-plated brass housing with ABS plastic mechanism. Requires less than 5 lbs. of force to dispense soap.

Capacity

80 oz. liquid soap.

Operation

Pump-type valve draws liquid soap from bottom of reservoir. Dispenses measured amount of soap with each stroke. Sight gauge indicates refill time. Hinged shelf secured by concealed friction latch and 2 locking bars. Requires less than 5 lbs. of force to dispense soap.

- Bradley liquid soap valves operate best with any vegetable oil or coconut oil hand soap having a 10–15% soap concentration.

Installation

Verify all rough-in dimensions prior to installation. Secure dispenser with mounting screws (included). If mounted under a horizontal projection, allow 5" clearance for filling.

Guide Specification

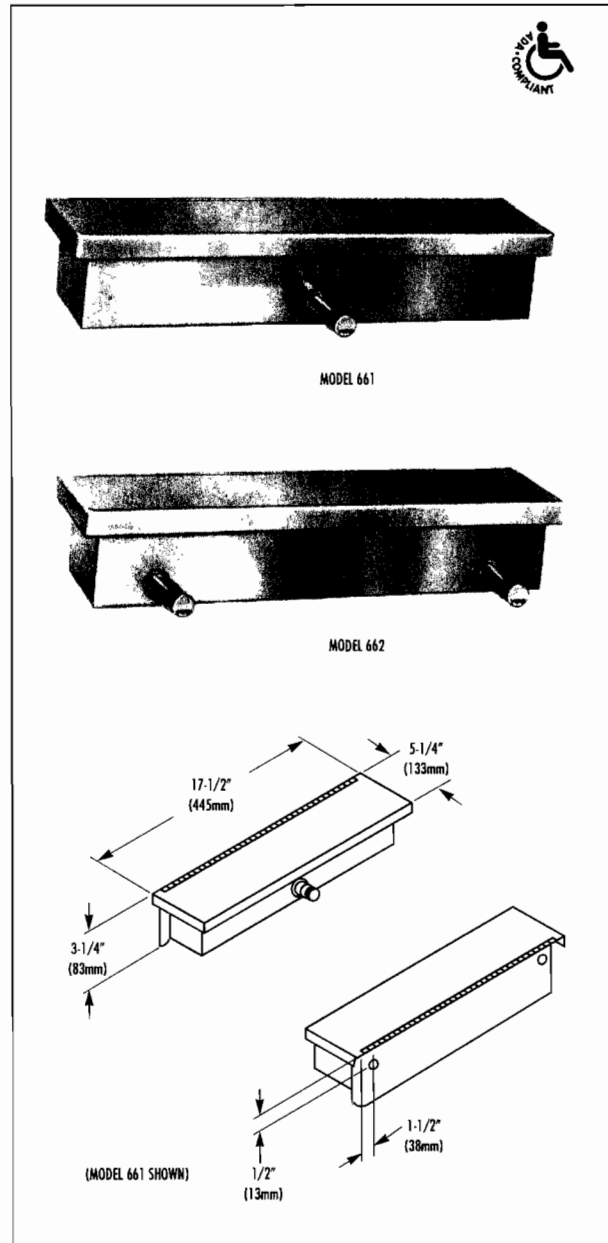
Shelf-type soap dispenser shall be fabricated of 20 gauge stainless steel. Soap valve has chrome-plated brass housing with ABS plastic mechanism. Concealed friction latch for cover. Requires less than 5 lbs. of force to dispense soap. Capacity: 80 oz. liquid soap.

Overall dimensions: 17-1/2"W x 3-1/4"H x 5-1/4"D.

ADA Compliant

- Consult local and national accessibility codes for proper installation guidelines.
- Conformity and compliance to local and national codes is the responsibility of the installer.

Washroom Accessories
Document No. 8715



Model 250-15 — Surface-Mounted **Bradex®**

- C-Fold/Multi-Fold Towels
- Tumbler Lock

Product Materials

UNIT: 22 gauge stainless steel with exposed surfaces in architectural satin finish. Smooth corners, free of burrs and sharp edges. Tumbler lock keyed like other Bradley units. Cabinet hinged at bottom to allow easy filling. Refill indicator slot on face of cabinet. Rolled edge on dispenser opening.

Capacity

525 multi-fold or 400 C-fold paper towels.

Operation

Unit holds multi-fold or C-fold towels without use of special adapter.

Installation

Verify all rough-in dimensions prior to installation. Secure to wall with mounting screws (not included) at holes provided. Mounting kit (#899-027) available through Bradley. Visit bradleycorp.com for more information. Provide in-wall backing at mounting screw locations.

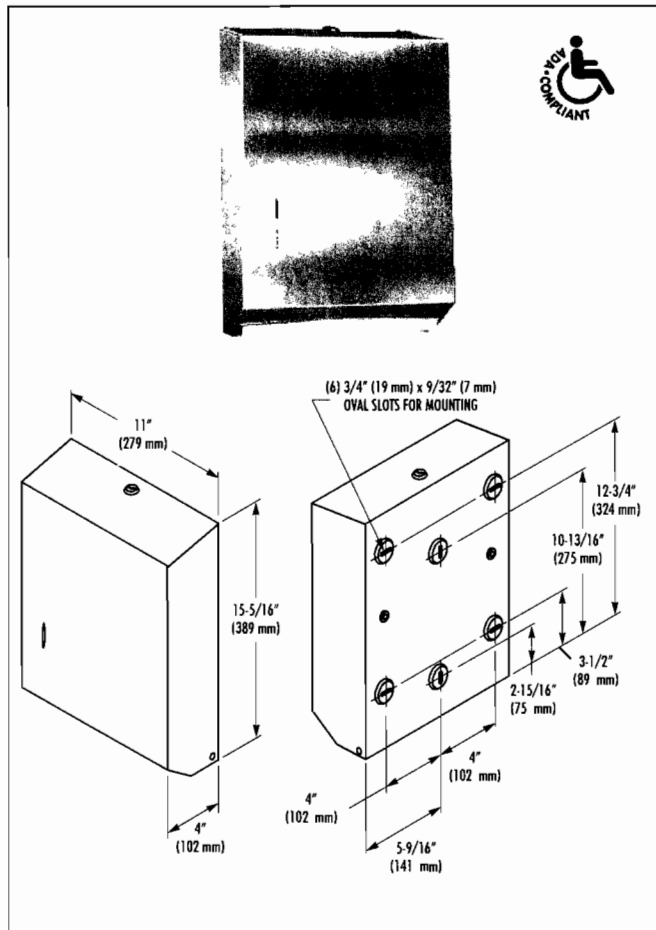
Guide Specification

Surface-mounted towel dispenser shall be fabricated of type heavy duty, 22 gauge stainless steel with exposed surfaces in satin finish. Refill indicator on face of cabinet. Tumbler lock to secure hinged front panel. Towel dispenser capacity 525 multi-fold or 400 C-fold towels.

Overall dimensions: 11"W x 15-5/16"H x 4"D.

ADA Compliant

- Consult local and national accessibility codes for proper installation guidelines.
- Conformity and compliance to local and national codes is the responsibility of the installer.



**Washroom Accessories
Document No. 8200**

Orders composed of products indicated as **Bradex®** will be available to ship in three days after receipt of order at the factory. There is no pricing penalty for this service from Bradley.

This information is subject to change without notice.

4-1-2010

© 2010 Bradley Corporation
P.O. Box 309, Menomonee Falls, WI 53052-0309
Phone: 800.BRADLEY (800.272.3539) Fax: 262.253.4161
bradleycorp.com